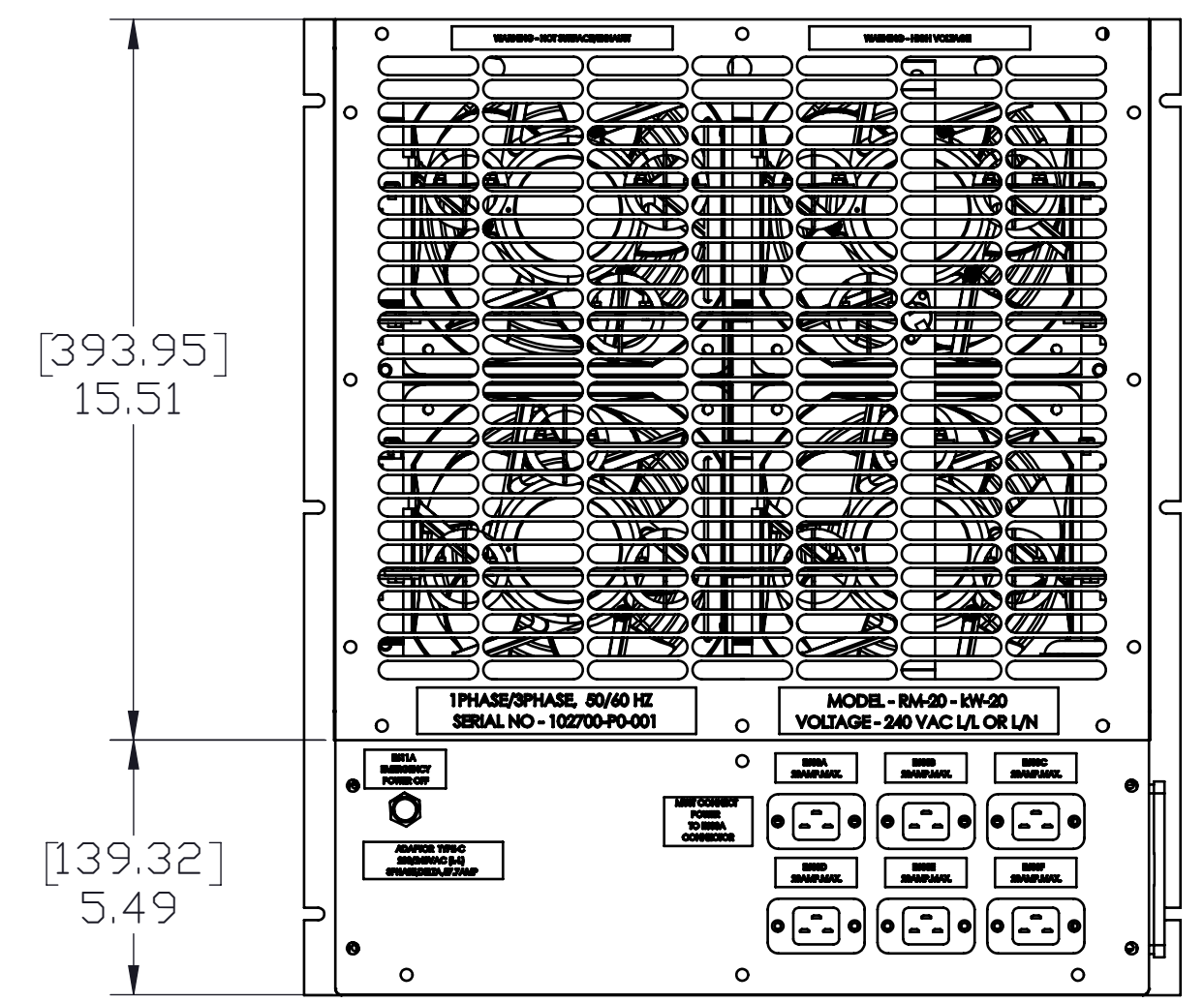
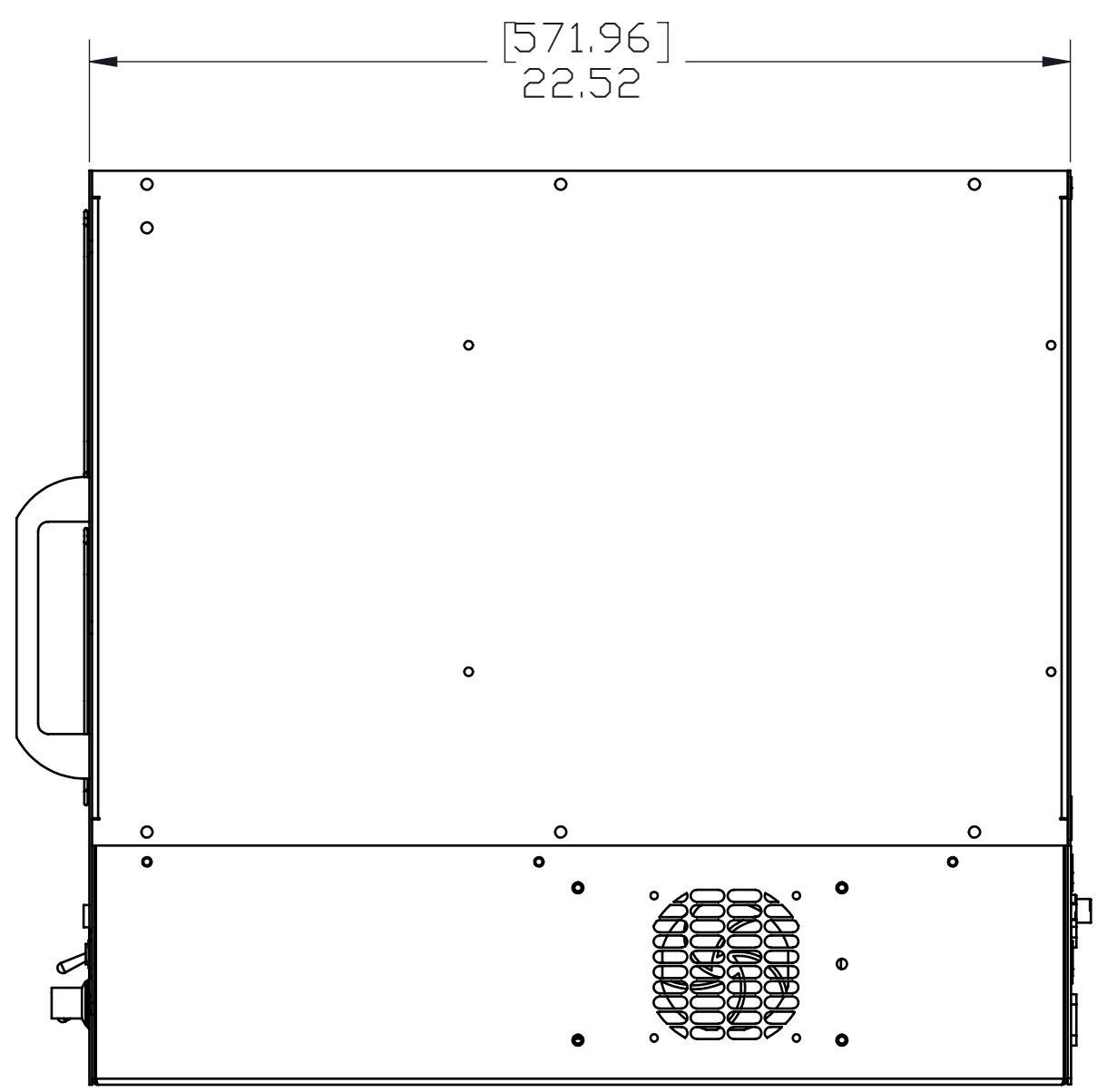
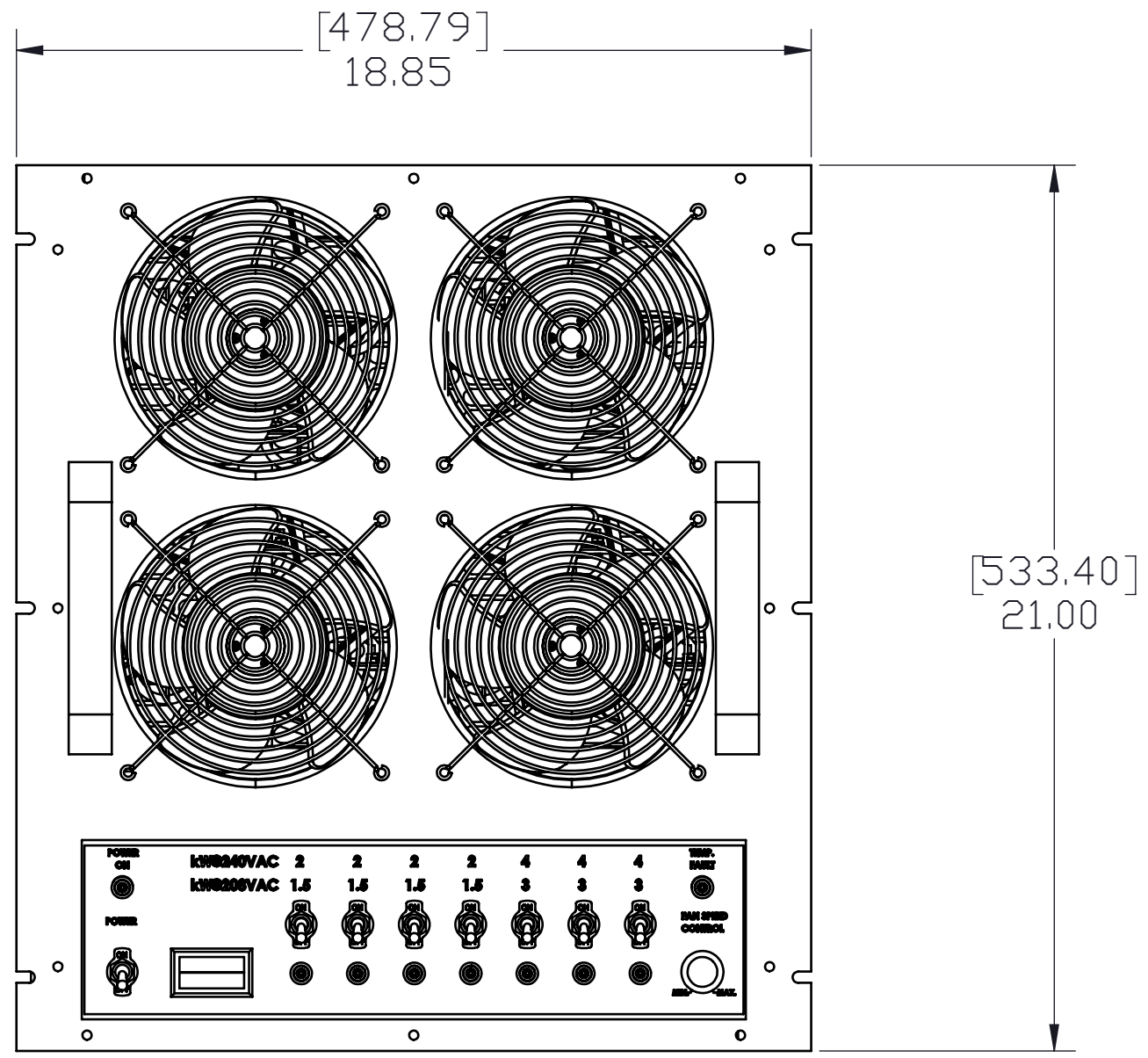
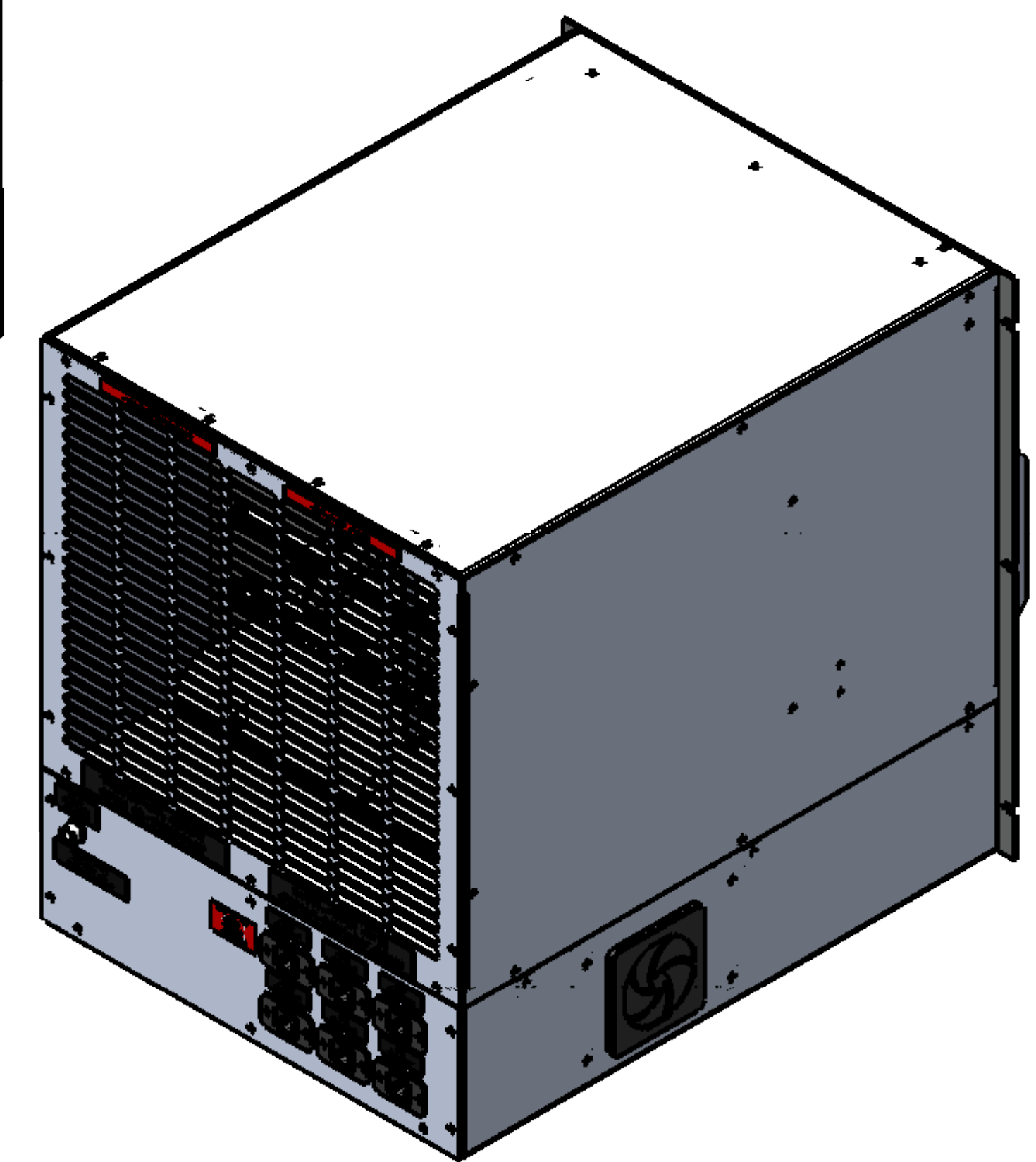
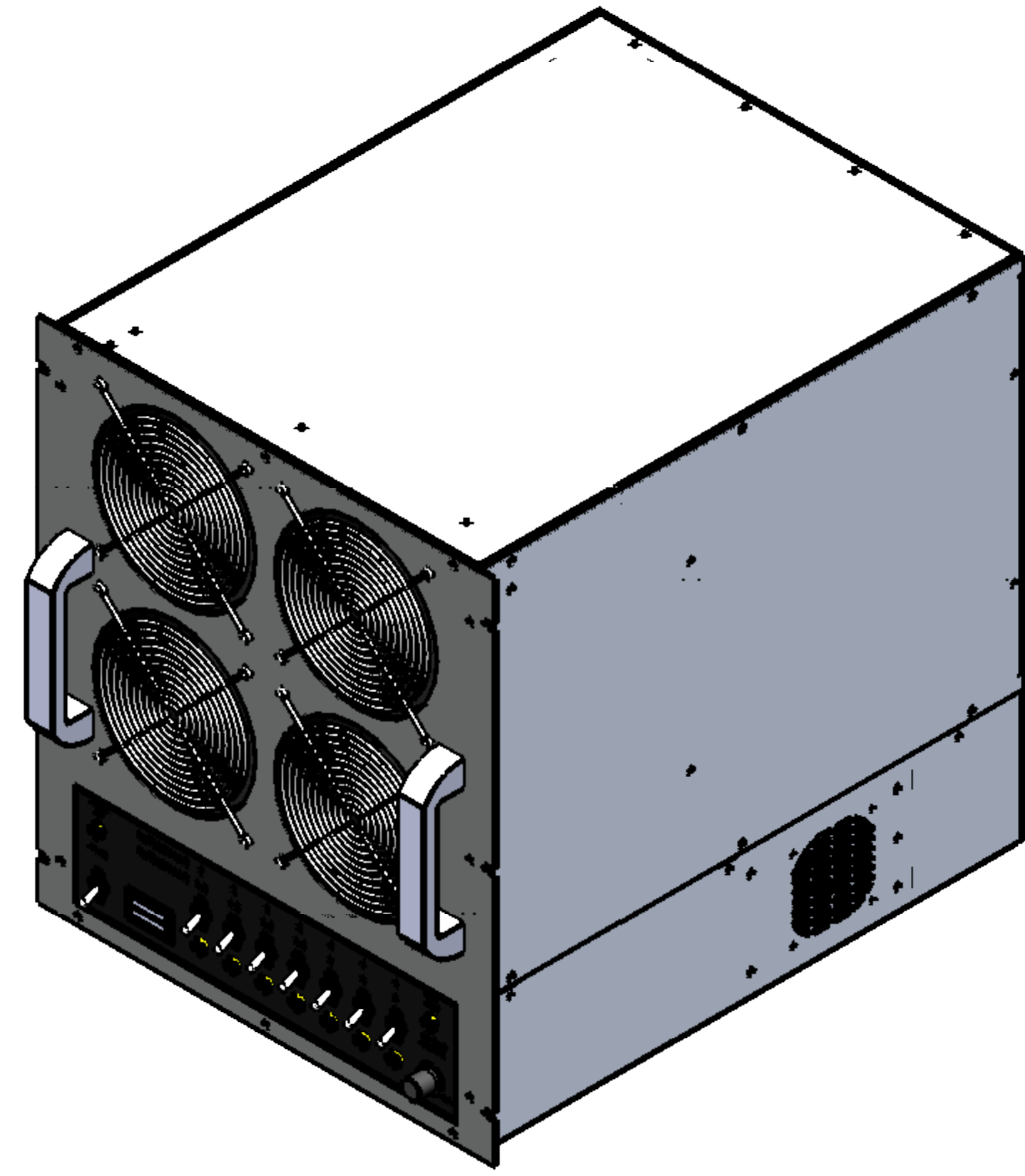
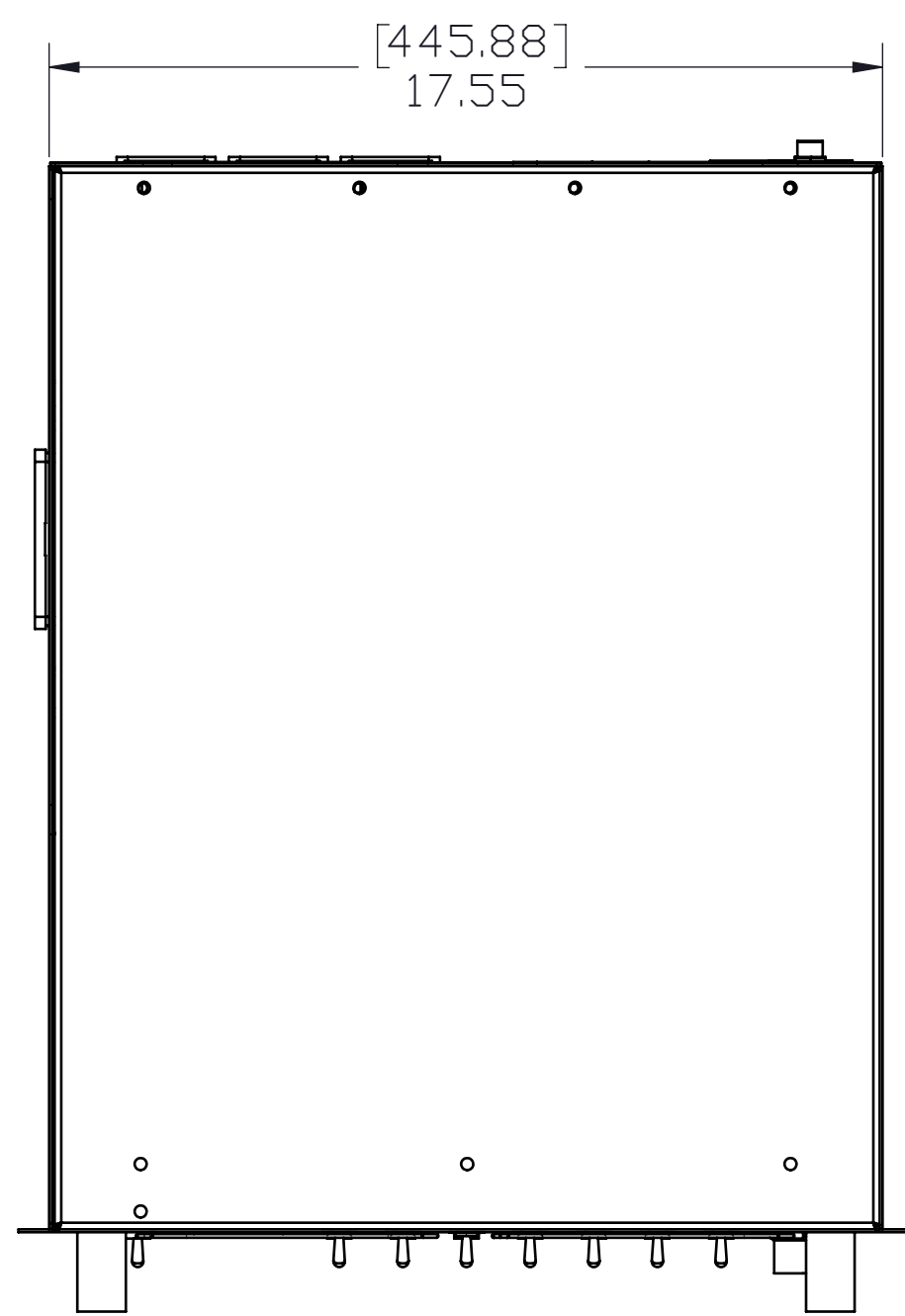


REVISIONS				
ZONE	REV.	DESCRIPTION	DATE	APPROVED
				VF



APPROX WEIGHT - 77LBS/35KG

OPTION-1
SINGLE PHASE

FINISH RAL-7042	MATERIAL ASSEMBLY	UNLESS OTHERWISE SPECIFIED DIMENSIONS ARE IN INCHES TOLERANCES: FRACTIONS: ± 1/8 ANGLES: ± 0° 30' 2 PLACE DECIMALS: ± .03 3 PLACE DECIMALS: ± .010	APPROVALS DRAWN PPM CHECKED KP ENGR. QUAL. REL.	DATE 28/11/21 28/11/21		SERVER LOAD BANK (20KW) (12U SIZE) RM-24
<p align="center">CONFIDENTIAL/PROPRIETARY</p> <p>THIS DOCUMENT CONTAINS THE CONFIDENTIAL AND PROPRIETARY INFORMATION OF ULB. YOU MAY NOT POSSESS, USE, COPY OR DISCLOSE THIS DOCUMENT OR ANY INFORMATION IN IT FOR ANY PURPOSE WITHOUT EXPRESS WRITTEN PERMISSION. NEITHER RECEIPT, FROM ANY SOURCE, NOR POSSESSION OF THIS DOCUMENT, CONSTITUTES SUCH PERMISSION. POSSESSION, USE, COPYING OR DISCLOSURE BY ANYONE WITHOUT EXPRESS WRITTEN PERMISSION OF ULB IS NOT AUTHORIZED AND MAY RESULT IN CRIMINAL AND/OR CIVIL LIABILITY.</p>			CONTRACT NUMBER			
						JOB# 1159
			DO NOT SCALE DRAWING	SCALE -	WEIGHT:	SHEET: 1 of 2