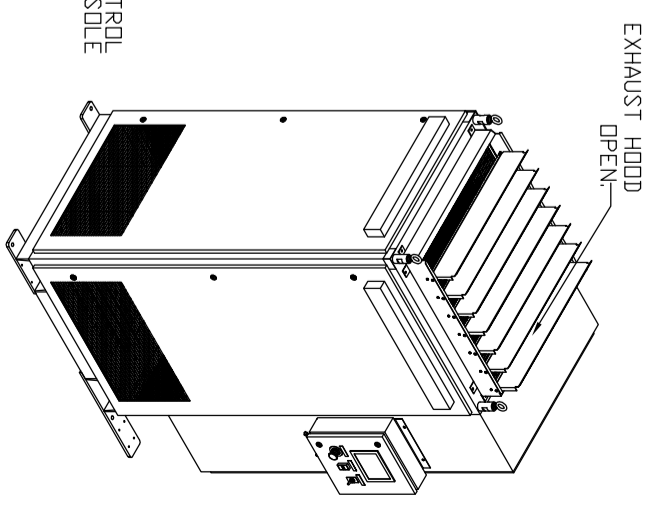
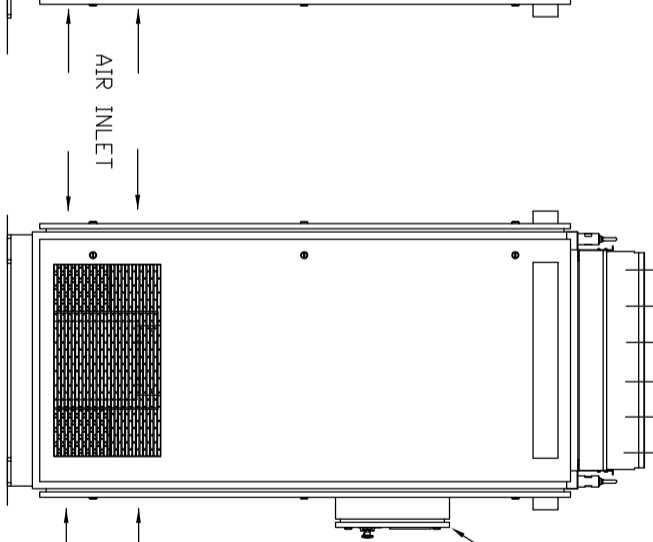
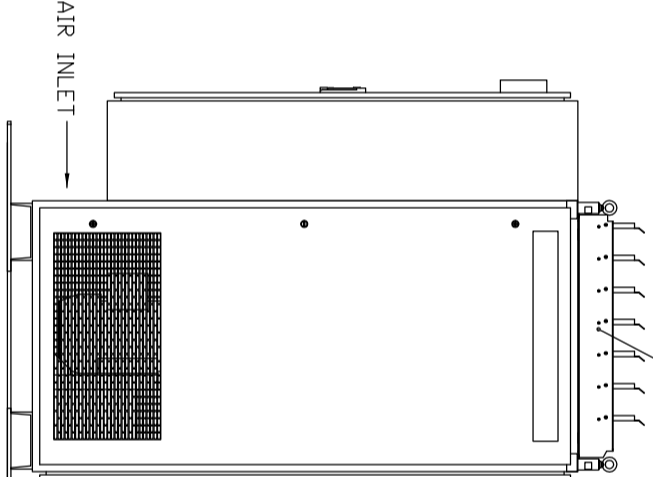
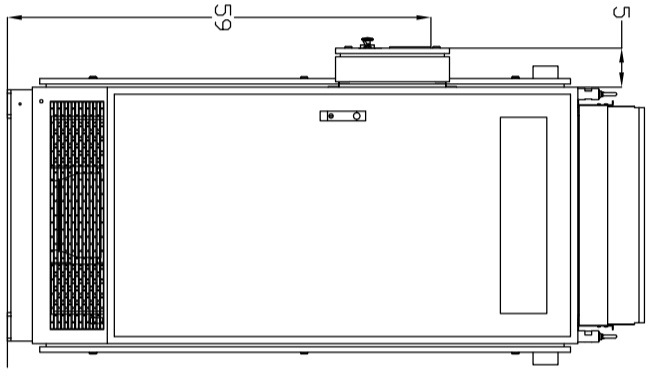
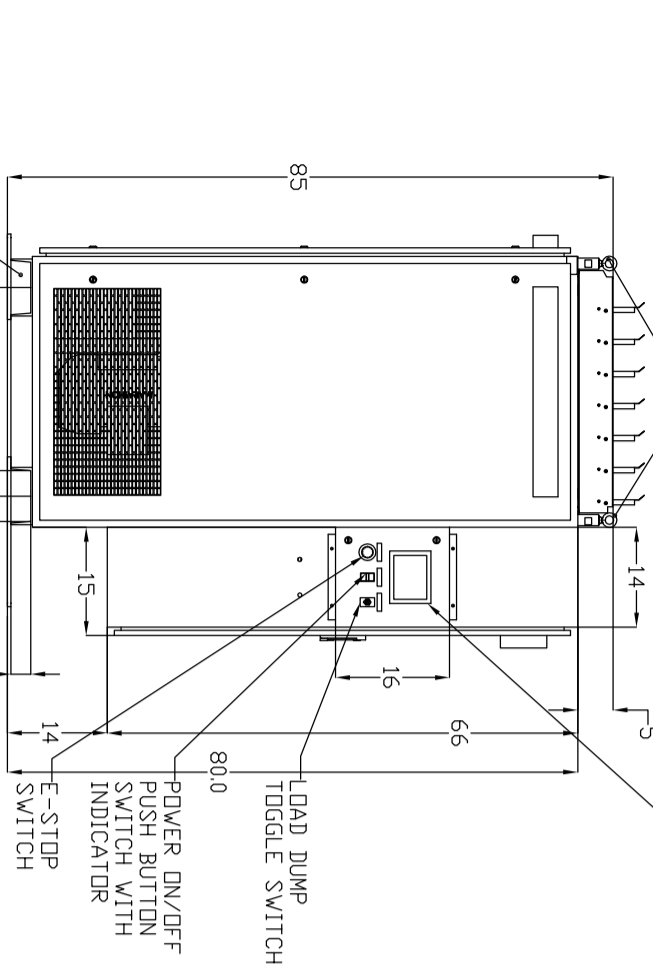
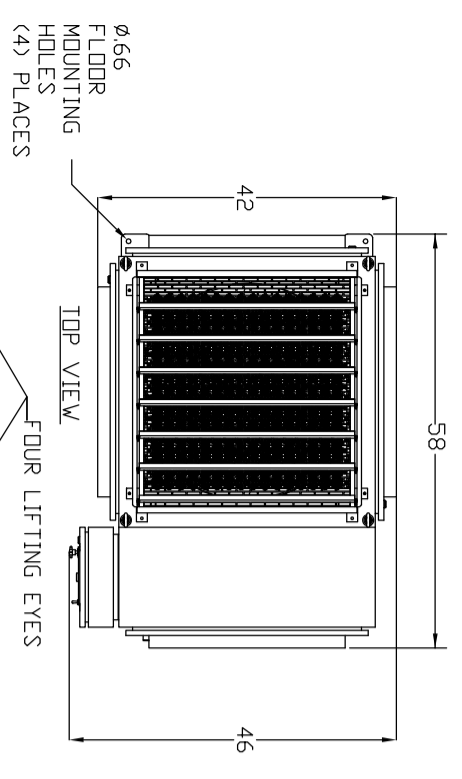


REVISIONS				
ZONE	REV	DESCRIPTION	DATE	APPROVED
A-B1			08/17/15	VF

SPECIFICATION: MODEL NUMBER TLB-R500-480-DS SHOWN

CAPACITY	500kW, RESISTIVE, 1.0 POWER FACTOR
VOLTAGE	480 VAC
FREQUENCY	60HZ
LOAD STEPS	25kW RESOLUTION STANDARD
DUTY CYCLE	CONTINUOUS
MAX. AMBIENT TEMPERATURE	120°F
MAX EXHAUST TEMP. RIZE	150°F, HOT SPOTS 550°F
AIR FLOW	20000CFM, (34000 M3/HR), 10HP (7.5KW)
FAN/CONTROL VOLTAGE	FAN OPERATES AT 3-PHASE LINE VOLTAGE. LOAD AND MOTOR CONTROL CIRCUITS OPERATE AT 120V VIA INTERNAL TRANSFORMER
WEIGHT	1653 LBS (750KG) APPROX.

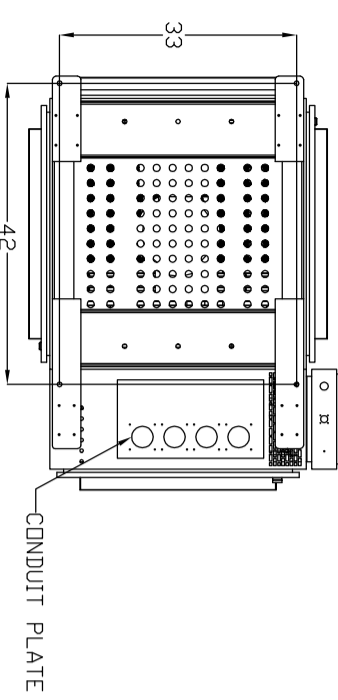


**DESCRIPTION:**

THIS IS A MODERN LARGE CAPACITY RESISTIVE LOAD BANK SYSTEM INTENDED FOR FIELD USE IN TESTING AND MAINTENANCE EXERCISE OF GENERATORS, UPS AND OTHER AC POWER SOURCES. ULB/TLB SERIES LOAD BANKS ARE DESIGNED FOR OUTDOOR OR INDOOR INSTALLATION AVAILABLE IN 500KW-1000KW SIZES, DIGITALLY CONTROLLED VIA AN ON-BOARD PLC WITH TOUCH SCREEN DISPLAY, CAPABLE OF DATA MONITORING AND DATA ACQUISITION. CONTROL CONSOLE CAN BE MOUNTED ON THE LOAD BANK OR AT REMOTE LOCATION.

**NOTE:**

1. USE ATLANTIC GASKET AG141B, 1-1/2" WIDE X 3/8" X THICK FOR SEALING ON ALL LARGE DOORS AND 1" WIDE X 3/8" THICK FOR CONTROL ENCLOSURE.
2. POWDER COAT USING AKZONBEL INTERPON 600 OR TIGER DRYLAC SERIES 39 OR TIGER DRYLAC



MODEL NUMBER TLB-R500-480-DS SHOWN

MODEL NUMBER TLB-RXXXX-VOLTAGE-OPTION

MODEL NUMBER CODE : TLB-RXXXX-VOLTAGE-OPTION

TLB - TEST LOAD BANK

R - RESISTIVE

XXXX - MAX. CAPACITY 1000 KW

EXAMPLE:

1000 - MAX. CAPACITY 1000KW

0750 - MAX. CAPACITY 750KW

0500 - MAX. CAPACITY 500KW

VOLTAGE - NOMINAL VOLTAGE

- O - OPTION: FOR OUTDOOR USE
- I - OPTION: FOR INDOOR USE
- S - OPTION: STATIONARY
- P - OPTION: PORTABLE ON CASTERS

**PARTS LIST**



500 KW RESISTIVE LOAD BANK,  
MODEL TLB-R500-480-DS

FINISH	MATERIAL	UNLESS OTHERWISE SPECIFIED DIMENSIONS ARE IN INCHES DIMENSIONS IN PARENTHESIS ARE FRACTIONAL DIMENSIONS
-	ASSEMBLY	

**CONFIDENTIAL/PROPRIETARY**

THIS DOCUMENT CONTAINS THE CONFIDENTIAL AND PROPRIETARY INFORMATION OF ULB. YOU MAY NOT REPRODUCE, COPY, OR DISCLOSE THIS DOCUMENT OR ANY INFORMATION IN IT FOR ANY PURPOSES WITHOUT EXPRESS WRITTEN PERMISSION. NEITHER RECEIPT OF THIS DOCUMENT NOR POSSESSION OF IT CONSTITUTES SUCH PERMISSION. PERMISSION TO REPRODUCE THIS DOCUMENT OR DISCLOSE ITS CONTENTS WITHOUT WRITTEN PERMISSION OF ULB IS NOT AUTHORIZED AND MAY RESULT IN CRIMINAL AND/OR CIVIL LIABILITY.

APPROVALS	DATE	SCALE
DESIGNED BY: K6/07/2015	06/09/2015	1:1
CHECKED BY: BW	06/09/2015	
DATE: 06/09/2015		
CONTRACT NUMBER		
SIZE: S.D. 11175	SIZE: 81KMO	SCALE: 1:1
DO NOT SCALE DRAWING		