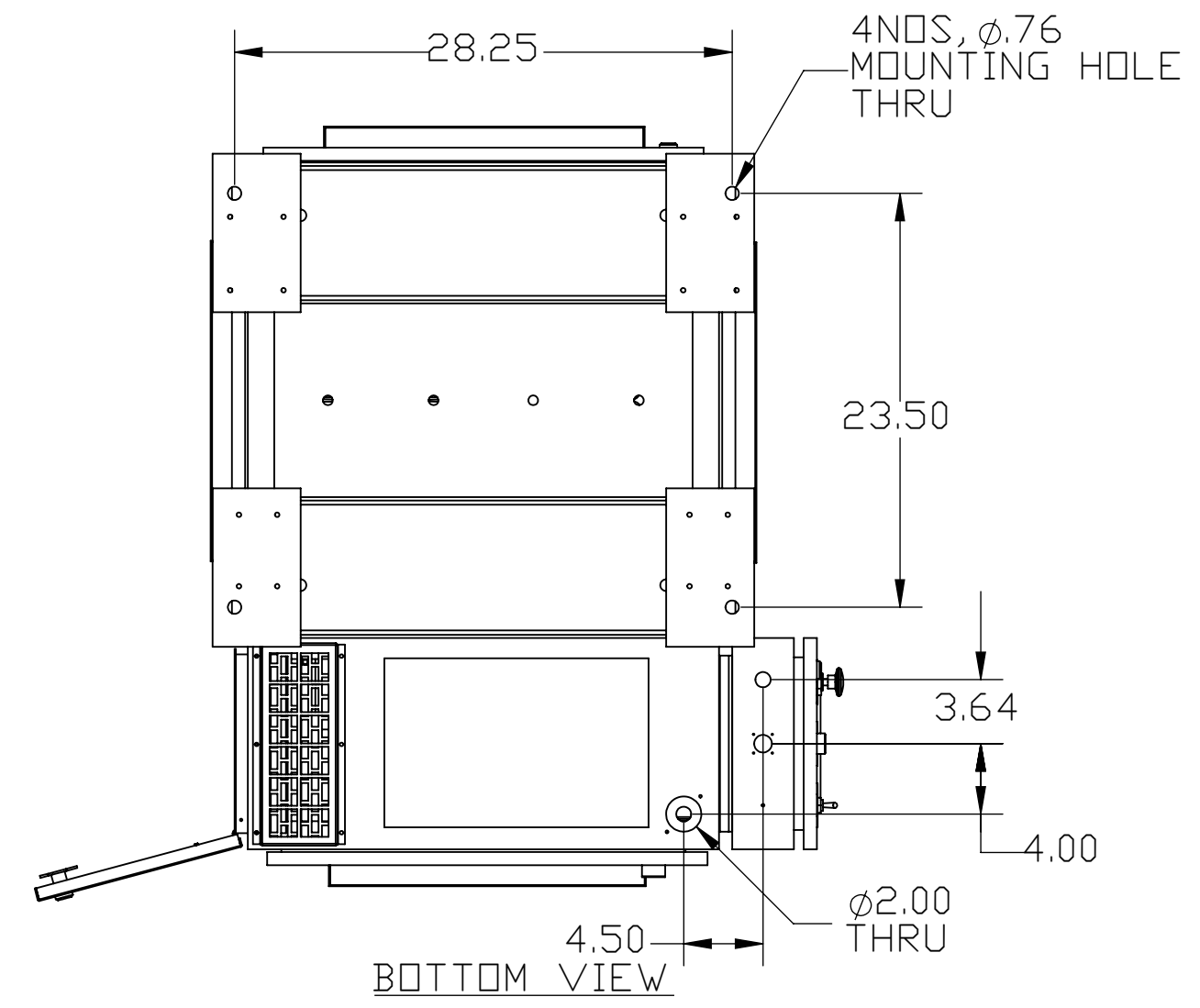
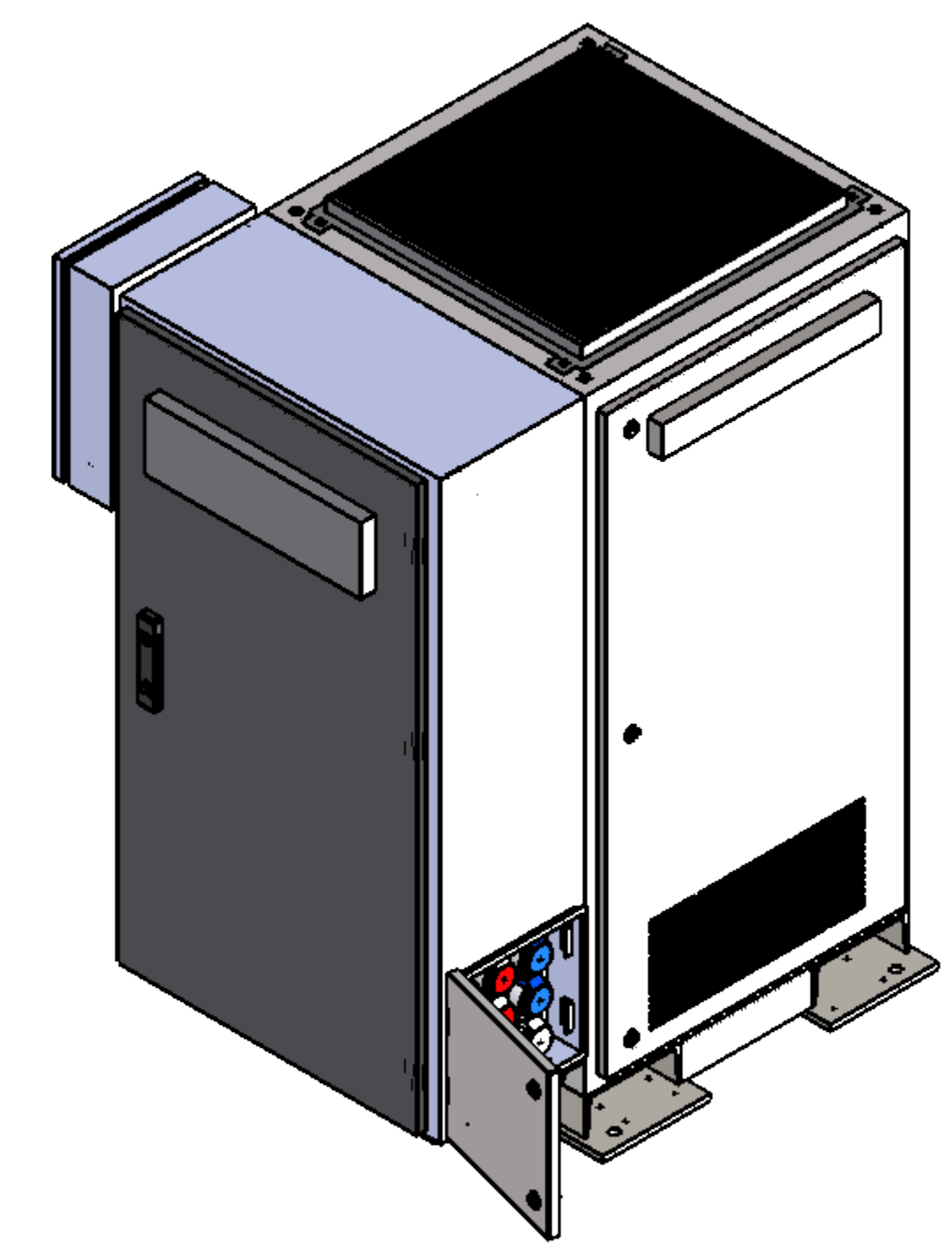
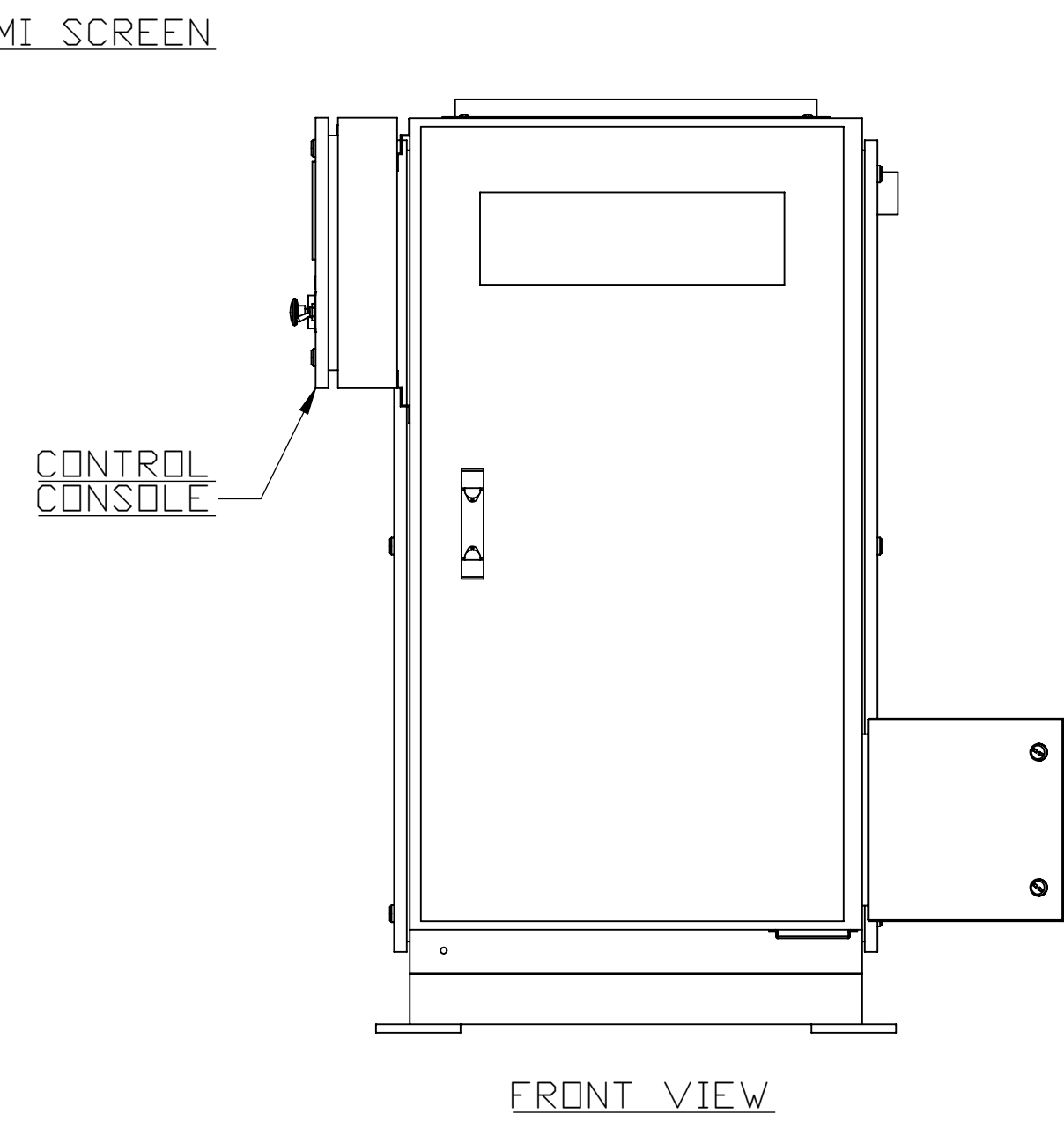
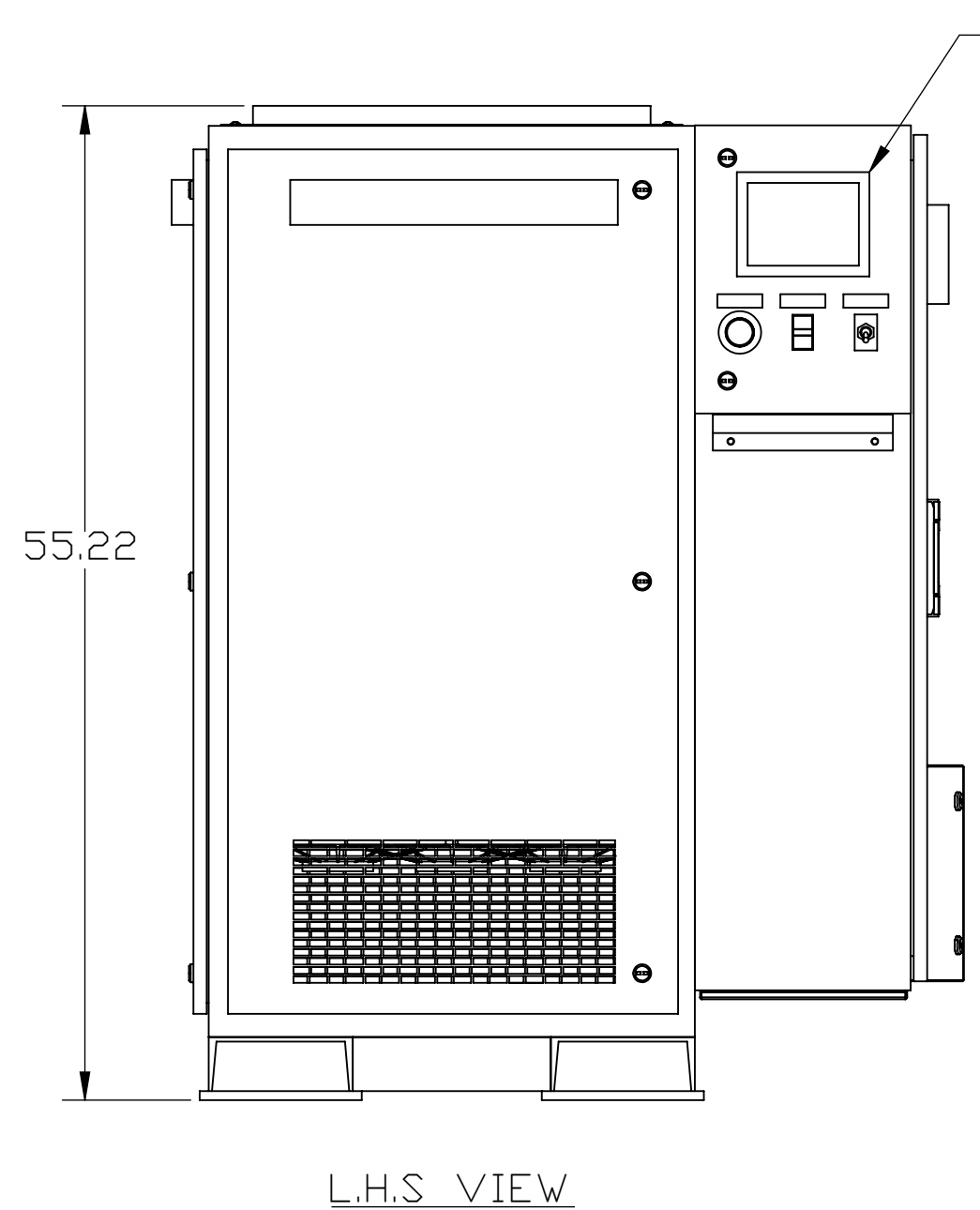
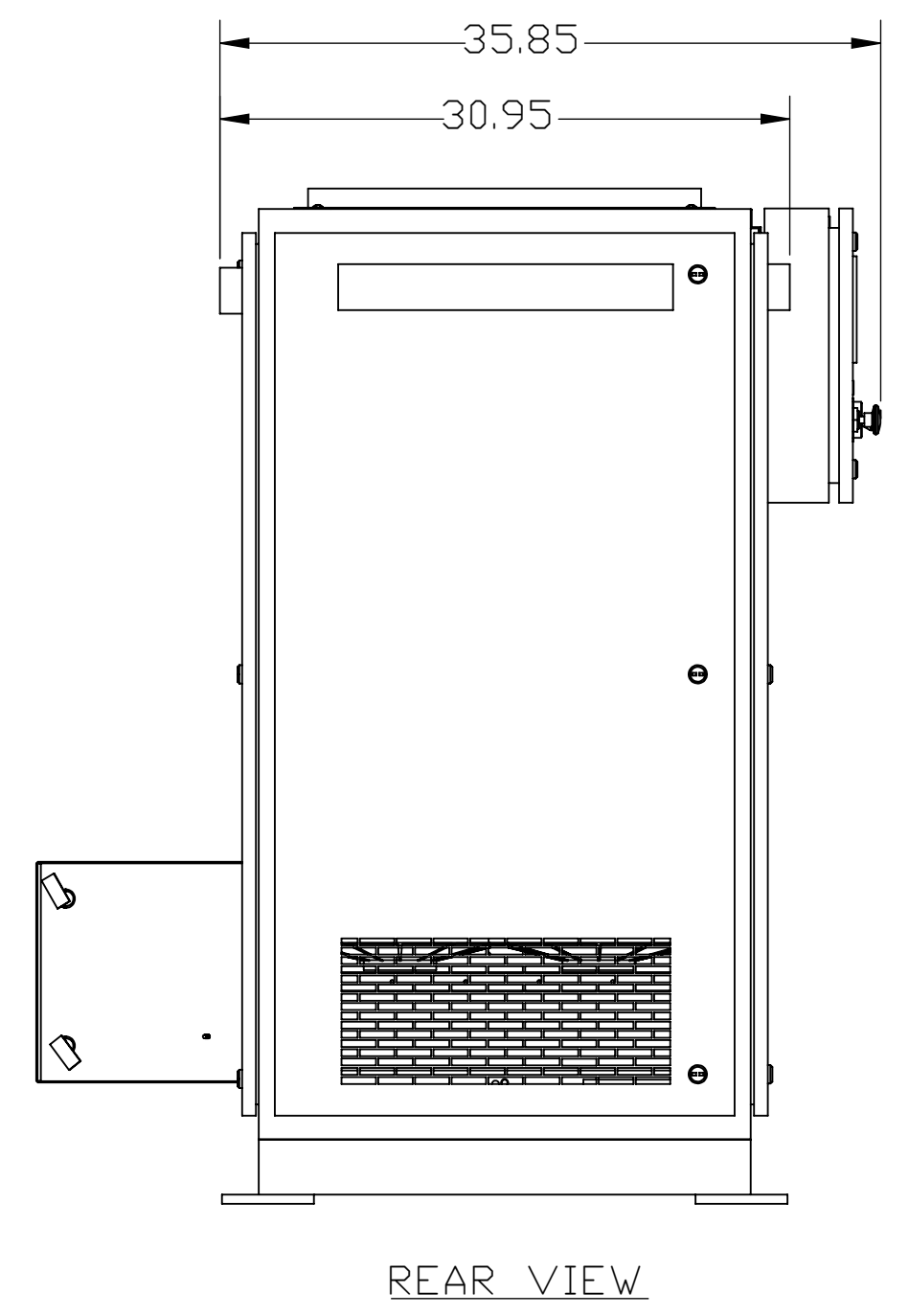
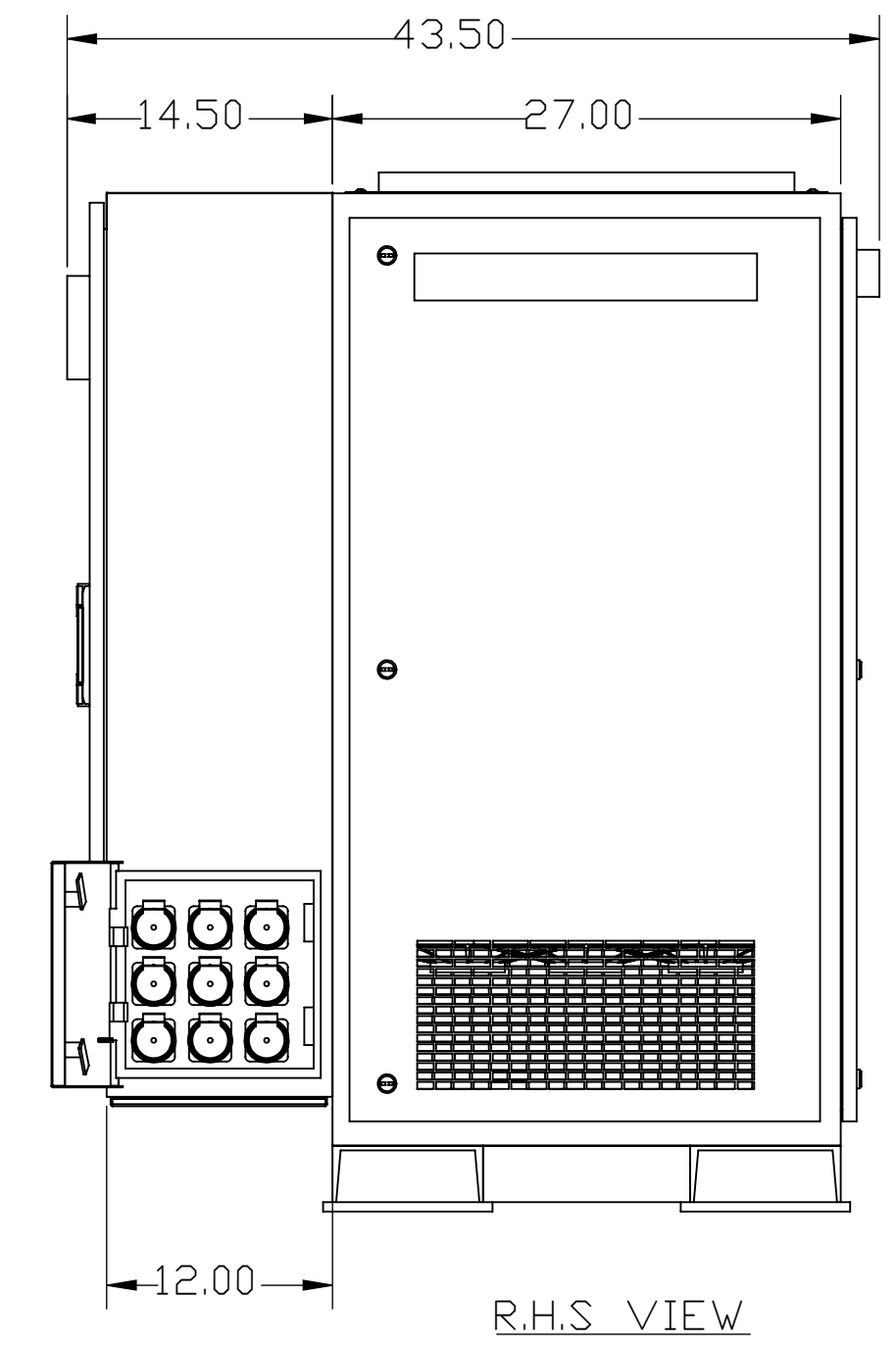
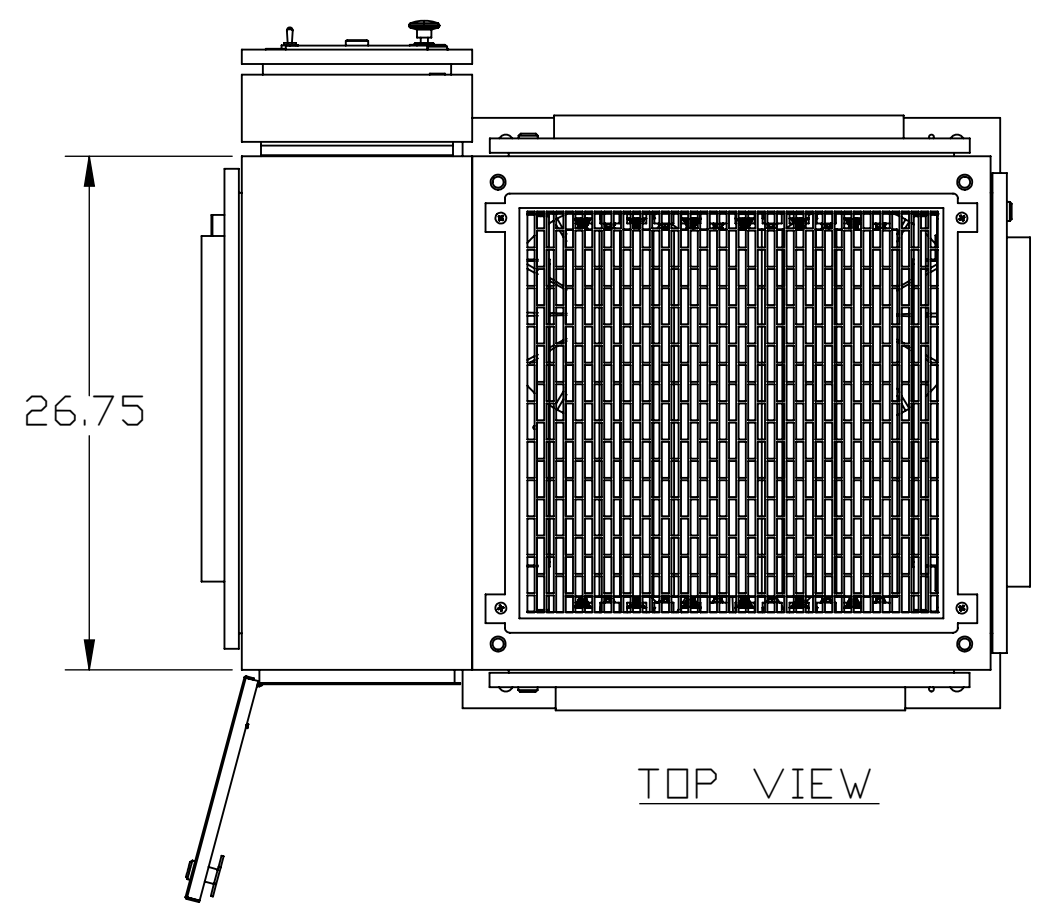


REVISIONS				
ZONE	REV.	DESCRIPTION	DATE	APPROVED
	01	CONNECTOR DOOR DIRECTION CHANGE.	18-SEP-2020	JT
	02	REAR DOOR OPENING DIRECTION CHANGE FROM R.H.S TO L.H.S.	04-MAR-2021	PPM
	03	REMOVE DRAWING NO - F102585-P5-11 (HOOD, AIR-OUTLET)	14-JUL-2021	PPM

SPECIFICATION: MODEL NUMBER ULB-R150-208-DS SHOWN

CAPACITY	150KW, RESISTIVE, 1.0 POWER FACTOR
OPERATING VOLTAGE RANGE	200-230 VAC (L-L), 4 WIRE
FREQUENCY	400 HZ
STEP RESOLUTION	5 KW
DUTY CYCLE	CONTINUOUS
MAX. AMBIENT TEMPERATURE	130 F
MAX EXHAUST TEMP. RIZE	150-200 F, HOT SPOTS 550 F
AIR FLOW	3000CFM
FAN/CONTROL VOLTAGE	26VDC FROM INTERNAL CIRCUIT
APPROX WEIGHT	1014LBS / 460KG



- NOTE:**
1. USE GASKET FOR SEALING ON ALL LARGE DOORS AND CONTROL ENCLOSURE.
 2. POWDER COAT USING SUITABLE POWDER.

MODEL NUMBER ULB-R150-208-DS SHOWN

- ULB - UNIVERSAL LOAD BANK
- R - RESISTIVE
- XXXX - MAX. CAPACITY 200 KW
- EXAMPLE:
- 0200 - MAX.CAPACITY 200KW
- 0150 - MAX CAPACITY 150KW
- 0100 - MAX CAPACITY 100KW
- VOLTAGE - NOMINAL VOLTAGE
- D - OPTION: FOR OUTDOOR USE
- I - OPTION: FOR INDOOR USE
- S - OPTION: STATIONARY
- P - OPTION: PORTABLE ON CASTERS

FINISH	MATERIAL	UNLESS OTHERWISE SPECIFIED DIMENSIONS ARE IN INCHES TOLERANCES:FRACTIONS ± 1/8 ANGLES ± 0° 30' 2 PLACE DECIMALS ± .03 3 PLACE DECIMALS ± .010	APPROVALS	DATE	
RAL-7042	ASSEMBLY		DRAWN PPM	14-07-21	
<p align="center">CONFIDENTIAL/PROPRIETARY</p> <p>THIS DOCUMENT CONTAINS THE CONFIDENTIAL AND PROPRIETARY INFORMATION OF ULB. YOU MAY NOT POSSESS, USE, COPY OR DISCLOSE THIS DOCUMENT OR ANY INFORMATION IN IT FOR ANY PURPOSE WITHOUT EXPRESS WRITTEN PERMISSION. NEITHER RECEIPT, FROM ANY SOURCE, NOR POSSESSION OF THIS DOCUMENT, CONSTITUTES SUCH PERMISSION. POSSESSION, USE, COPYING OR DISCLOSURE BY ANYONE WITHOUT EXPRESS WRITTEN PERMISSION OF ULB IS NOT AUTHORIZED AND MAY RESULT IN CRIMINAL AND/OR CIVIL LIABILITY.</p>			CHECKED KP	14-07-21	
			CONTRACT NUMBER		
			JOB# 1019	SCALE	CAGE CODE
DO NOT SCALE DRAWING			SCALE	WEIGHT	SHEET: 1 of 1