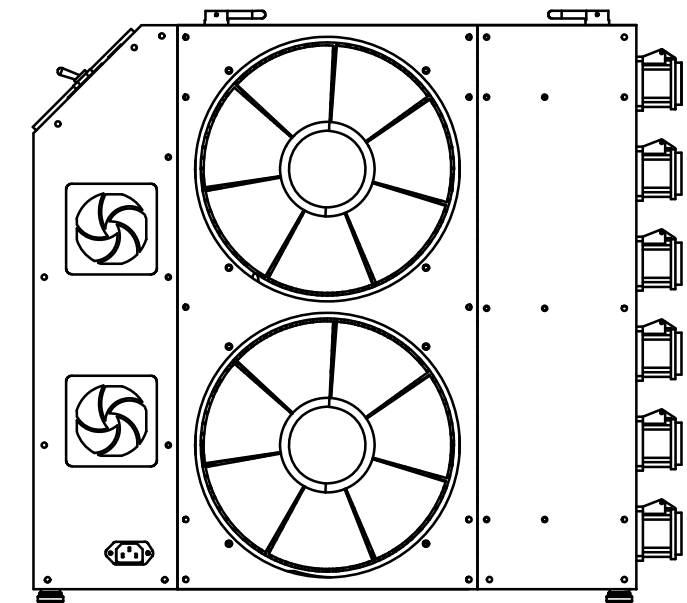
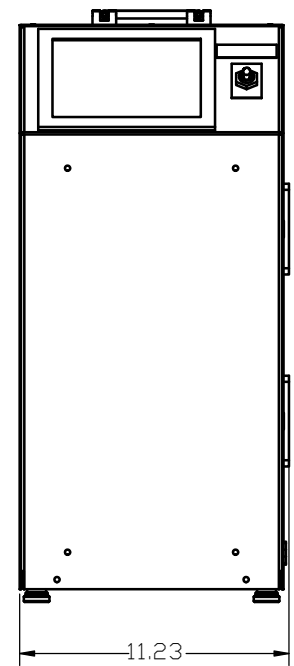
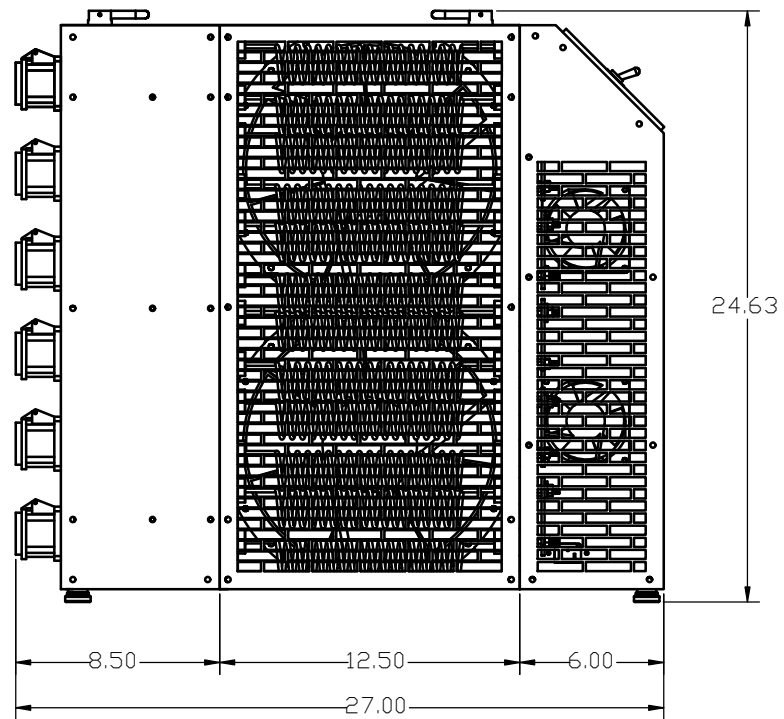
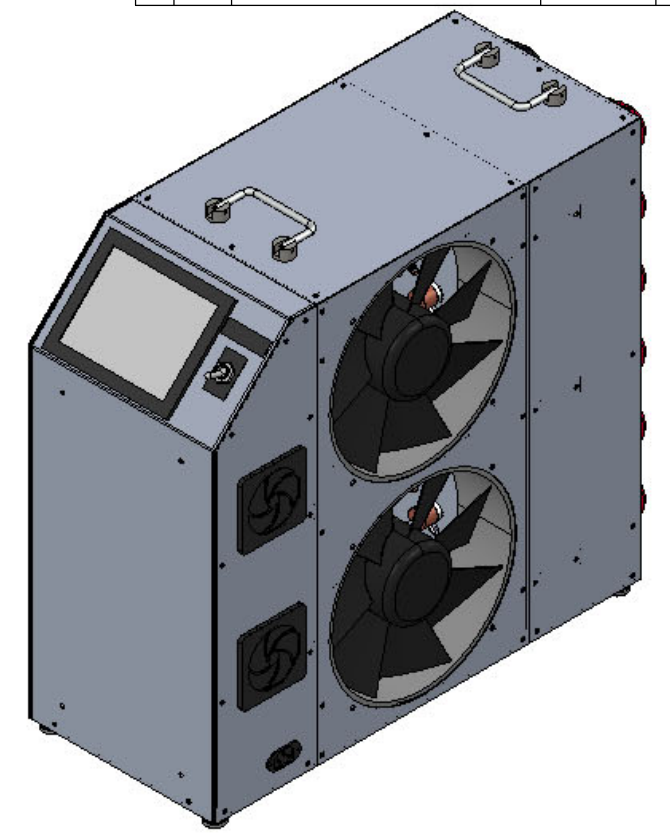
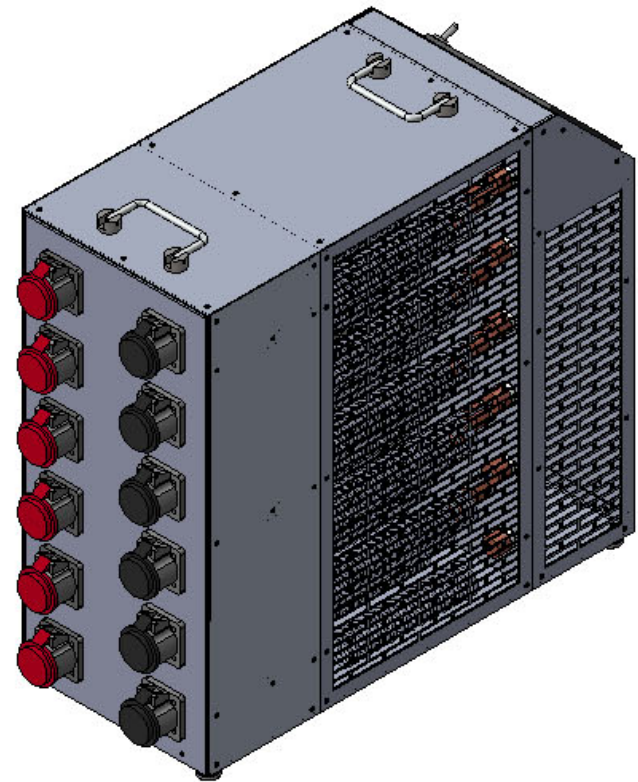


REVISIONS				
ZONE	REV.	DESCRIPTION	DATE	APPROVED
				VF

SPECIFICATION: MODEL NUMBER ULB-R58-24-CS

CAPACITY	58KW
LOAD TYPE	RESISTIVE
POWER FACTOR	NA
VOLTAGE	12VDC / 144VDC
FULL LOAD AMP	12VDC-1200AMP, 24VDC-2400AMP, 48VDC-1200AMP, 72VDC-800AMP, 96, 120, 144VDC-400AMP
COOLING SYSTEM	FORCED AIR, AIR FLOW 2260 CFM (UNRESTRICTED), DIRECTION HORIZONTAL
TEMPERATURE RATING	MAXIMUM AIR INLET TEMPERATURE 85°F, MAXIMUM EXHAUST TEMPERATURE 167°F
FAN/CONTROL POWER	48VDC, 1900mA
DIMENSIONS (MAXIMUM)	11"WX23.7"HX24"L
WEIGHT	__LBS(ALUMINIUM FABRICATION)
FINISH	POWDER COATED, COLOUR:RAL-7042 TRAFFIC GREY A



FINISH	MATERIAL	UNLESS OTHERWISE SPECIFIED DIMENSIONS ARE IN INCHES TOLERANCES: FRACTIONS ± 1/8 ANGLES ± 0° 30' 2 PLACE DECIMALS ± .03 3 PLACE DECIMALS ± .010	APPROVALS	DATE				
-	ASSEMBLY		DRAWN	BS		09/02/21		
<p align="center"><b>CONFIDENTIAL/PROPRIETARY</b></p> <p>THIS DOCUMENT CONTAINS THE CONFIDENTIAL AND PROPRIETARY INFORMATION OF ULB. YOU MAY NOT POSSESS, USE, COPY OR DISCLOSE THIS DOCUMENT OR ANY INFORMATION IN IT FOR ANY PURPOSE WITHOUT EXPRESS WRITTEN PERMISSION. NEITHER RECEIPT, FROM ANY SOURCE, NOR POSSESSION OF THIS DOCUMENT, CONSTITUTES SUCH PERMISSION. POSSESSION, USE, COPYING OR DISCLOSURE BY ANYONE WITHOUT EXPRESS WRITTEN PERMISSION OF ULB IS NOT AUTHORIZED AND MAY RESULT IN CRIMINAL AND/OR CIVIL LIABILITY.</p>			CHECKED		<p align="center">DC RESISTIVE LOAD BANK, MODEL ULB-R58-24-CS</p>			
			ENGR.			CONTRACT NUMBER		
			QUAL.		JOB#1130	SIZE	CAGE CODE	A403004-P0
			REL.		DO NOT SCALE DRAWING	D	8LKM0	
			SCALE	WEIGHT	SHEET: 1 of 1			

REV: 3/30/2022

A403004-P0-as.pdf

B

A