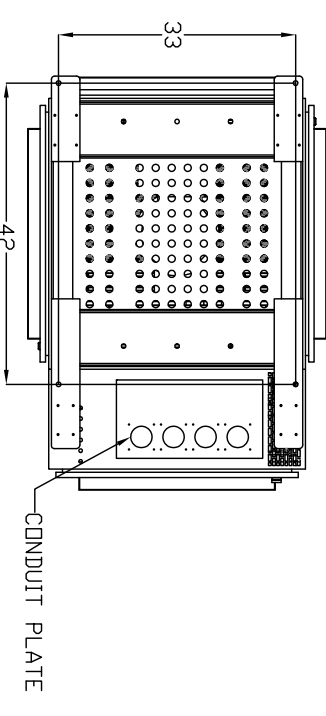
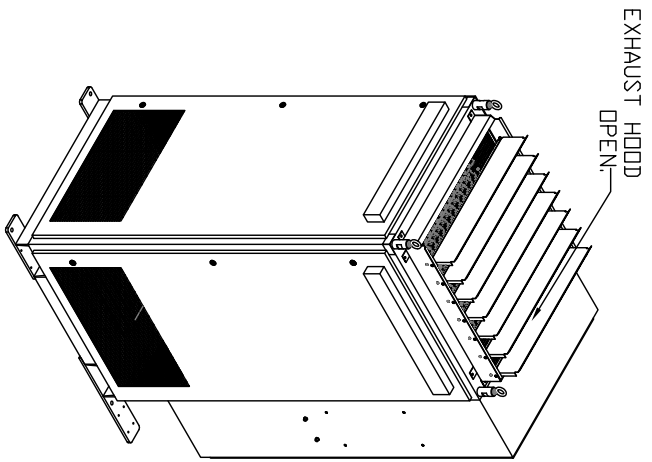
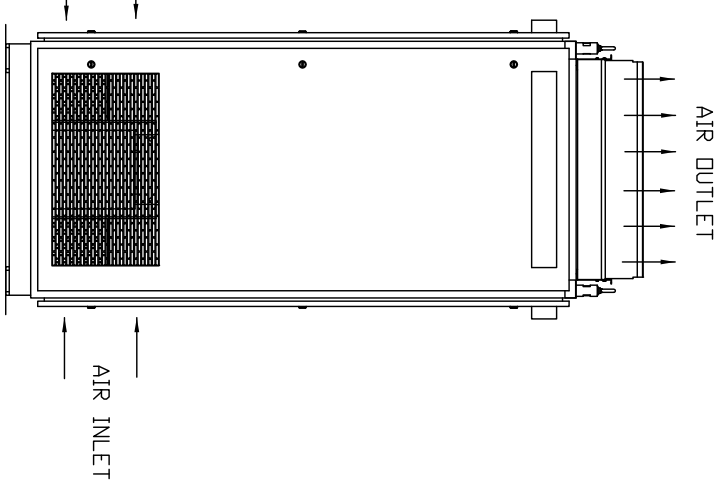
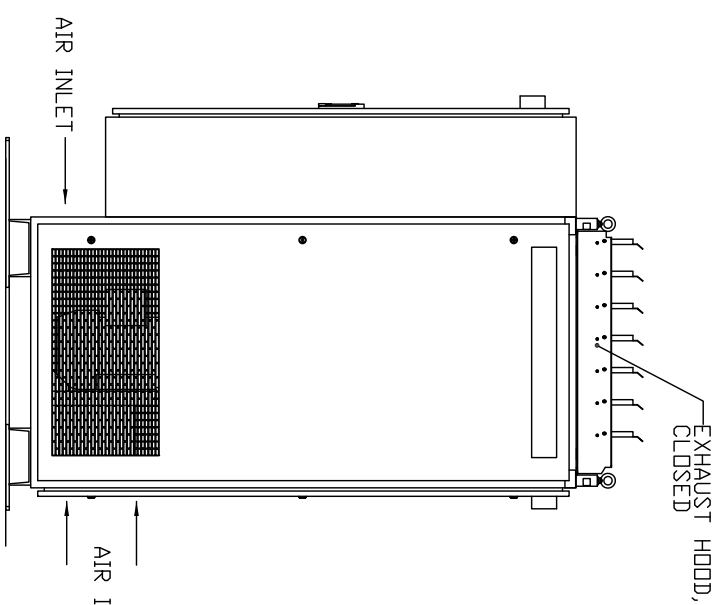
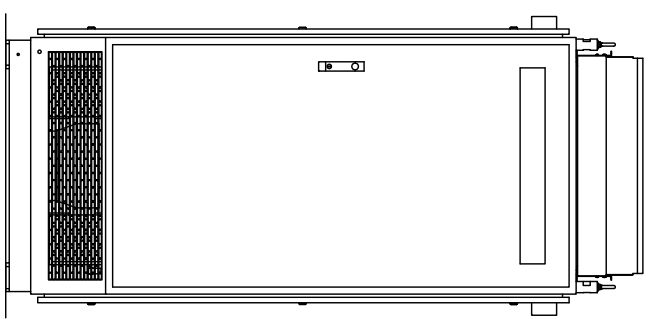
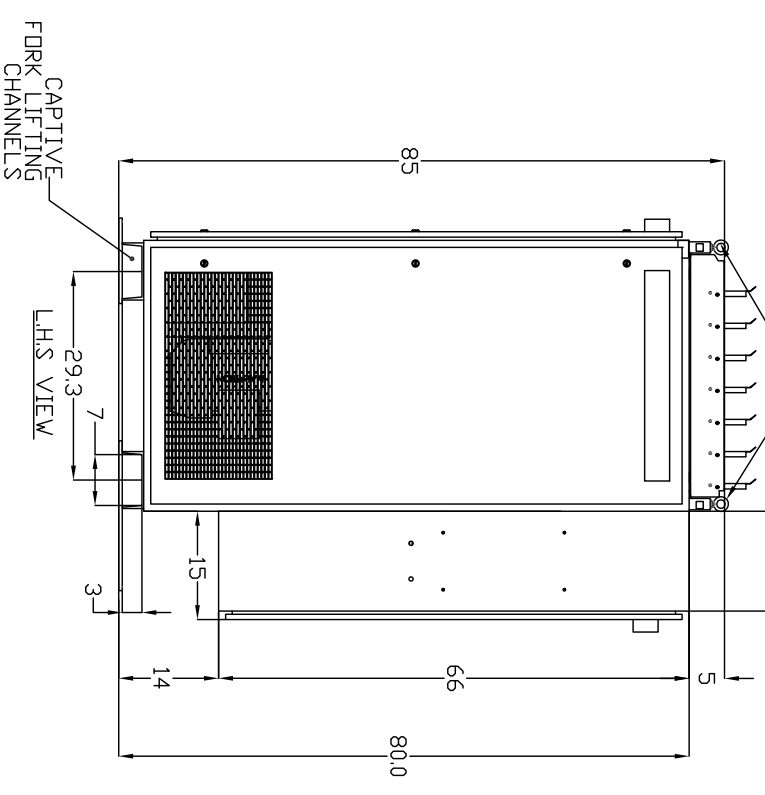
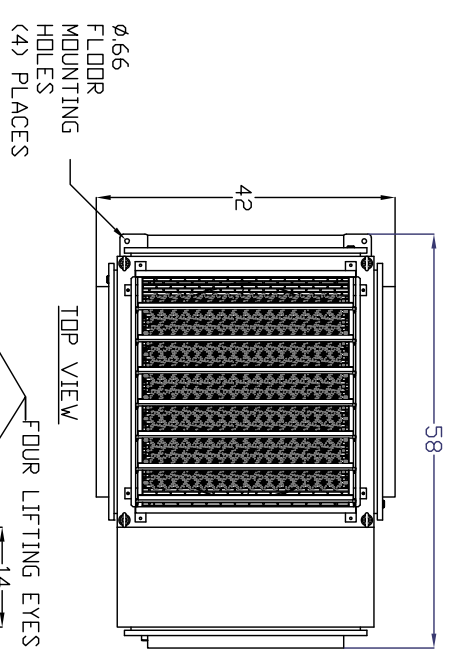


8 7 6 5 4 3 2 1

REVISIONS				
ZONE	REV.	DESCRIPTION	DATE	APPROVED
-	-	-	-	-

SPECIFICATION: MODEL NUMBER <u>ULB-R900-700-DS</u> SHOWN	
CAPACITY	900KW, RESISTIVE
VOLTAGE	700 VDC
LOAD STEPS	300KW RESOLUTION STANDARD
DUTY CYCLE	CONTINUOUS
MAX. AMBIENT TEMPERATURE	120°F
MAX EXHAUST TEMP. RIZE	150°F, HOT SPOTS 550°F
AIR FLOW	20000CFM, 10HP
FAN POWER	EXTERNAL SUPPLY 208VAC, 3PHASE, 60HZ, 30AMP MAX.
WEIGHT	1926 LBS (874 KG) APPROX.



MODEL NUMBER ULB-R900-700-DS SHOWN  
 MODEL NUMBER CODE :ULB-RXXXX-VOLTAGE-OPTION  
 ULB - UNIVERSAL LOAD BANK  
 R - RESISTIVE  
 XXXX - MAX CAPACITY 1000 KW  
 EXAMPLE:  
 1000 - MAX CAPACITY 1000KW  
 0750 - MAX CAPACITY 750KW  
 0500 - MAX CAPACITY 500KW  
 VOLTAGE - NOMINAL VOLTAGE  
 O - OPTION: FOR OUTDOOR USE  
 I - OPTION: FOR INDOOR USE  
 S - OPTION: STATIONARY  
 P - OPTION: PORTABLE ON CASTERS

PARTS LIST

**ULB** UNIVERSAL LOAD BANKS

900 KW RESISTIVE LOAD BANK,  
 MODEL ULB-R900-700-DS

CONFIDENTIAL/PROPRIETARY  
 THIS DOCUMENT CONTAINS THE CONFIDENTIAL AND PROPRIETARY INFORMATION OF ULB. YOU MAY NOT POSSESS, USE, COPY OR DISCLOSE THIS DOCUMENT OR ANY INFORMATION IN IT FOR ANY PURPOSE WITHOUT EXPRESS WRITTEN PERMISSION, NEITHER RECEIPT, FROM ANY SOURCE, NOR POSSESSION OF THIS DOCUMENT, CONSTITUTES SUCH PERMISSION. NO WRITTEN PERMISSION, USE, COPYING OR DISCLOSURE BY ANYONE WITHOUT EXPRESS WRITTEN PERMISSION OF ULB IS NOT AUTHORIZED AND MAY RESULT IN CRIMINAL AND/OR CIVIL LIABILITY.

APPROVALS	DATE	SIZE	DATE
DESIGNED	07/10/2021	D	07/10/2021
CHECKED	07/10/2021	81KMO	07/10/2021
ENGR.			
REL.			

CONTRACT NUMBER: SLD 1103  
 ID NOT SCALE: D  
 SCALE: 1/8"=1'-0"  
 SHEET 1 OF 1